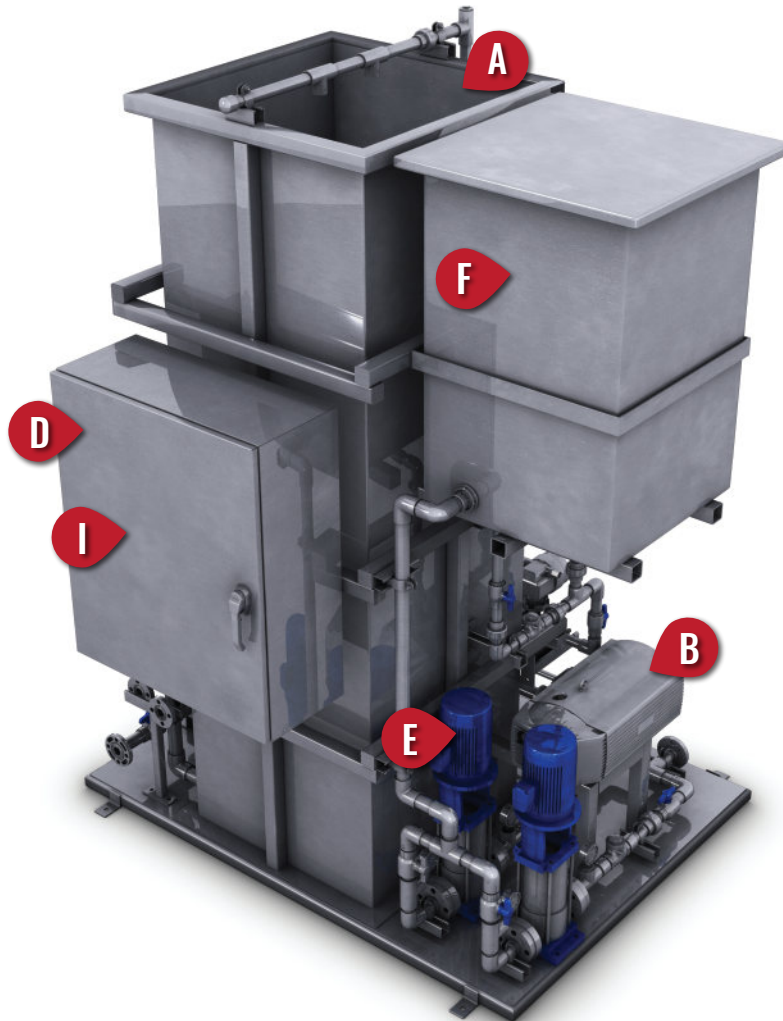


MEMPAC™ - MINI



A: Integrated membrane tank and skid are fabricated from 304 stainless steel as a standard

B: Process tank blower

C: Permeate pump*

D: NEMA 3R powder coated enclosure

E: Optional duplex effluent pumps

F: Clear-well

G: RAS pump*

H: Membrane filtration equipment is factory-installed and wet tested prior to shipping*

I: The electrical panel and controls system are factory-installed and tested

J: Optional disinfection equipment*

K: Automated Clean-In-Place (CIP) equipment*

Prior to delivery, clients will be given exact connection points for power, communication, influent, effluent and WAS.

COMPLETE MEMBRANE BIOREACTOR IN LESS THAN 40 SQUARE FEET!

PRODUCT DESCRIPTION



The MEMPAC-MINI is a complete, small-scale wastewater treatment system for low flow and re-use applications. A compact version of other MEMPAC models, the typical footprint for a MEMPAC-MINI equipment skid is less than forty square feet. This stainless steel treatment system is factory-assembled and includes all necessary aeration, membrane clarification and controls equipment. MINIs are designed to be incorporated into new or existing infrastructure including septic tanks, wastewater holding tanks and ponds. They can reclaim 100% of the treated effluent for re-use.



| TYPICAL INFLUENT PARAMETERS | | |
|-----------------------------|---------|-------|
| CONSTITUENT | VALUE | UNITS |
| Flow | <2,000 | GPD |
| TSS | <600 | mg/L |
| BOD5 | <5,000 | mg/L |
| Temperature | 60 - 80 | °F |

| TYPICAL EFFLUENT PARAMETERS | | |
|-----------------------------|-------|-------|
| CONSTITUENT | VALUE | UNITS |
| BOD5 | <10 | mg/L |
| TSS | <10 | mg/L |

| TYPICAL APPLICATIONS |
|--|
| Industrial and domestic clients with low flows |